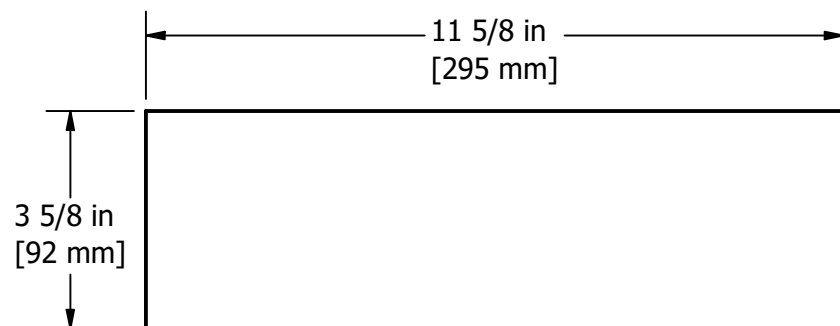
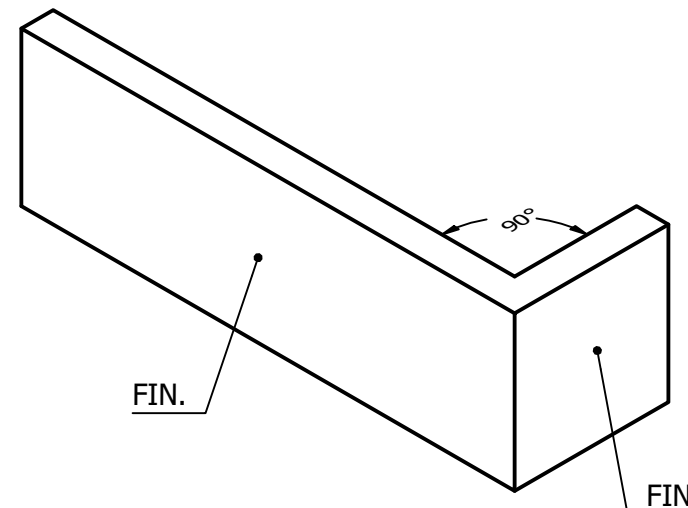
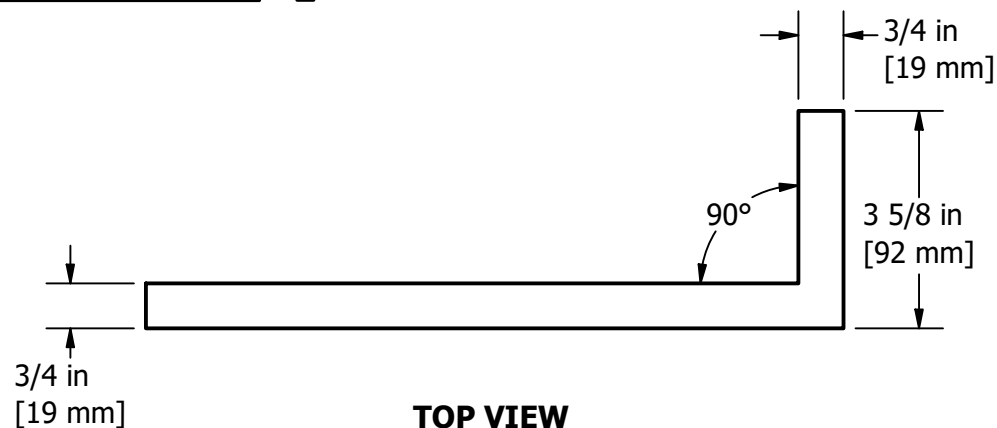


**SHAPE SHADE: \_**

**NOTE:**

- MANUFACTURER MUST HAVE THE OPTION TO PROVIDE CORE HOLES AS NECESSARY
- METRIC DIMENSIONS ARE ROUNDED
- BACK GEOMETRY, PROVIDED BY MANUFACTURER, WHEN REQUESTED



**FRONT VIEW**

**UTILITY 3/4" THIN BRICK 90° EXTERNAL CORNER (FLAT BACK)**

$v = 39.422 \text{ in}^3$

<b>DISTRIBUTOR APPROVAL</b>	
SIGNATURE	DATE:
<input type="checkbox"/> AS DRAWN	<input type="checkbox"/> WITH CHANGES

DATE:	<b>THE BELDEN BRICK COMPANY</b> CANTON, OHIO
DRAWN BY:	
SHAPE DRAWING:	<b>JOB:</b>
ORDER NO.:	<b>DISTRIBUTOR:</b>